

(2425)

Nr.	Ändring/Äm.nr	Datum	Sign
-----	---------------	-------	------

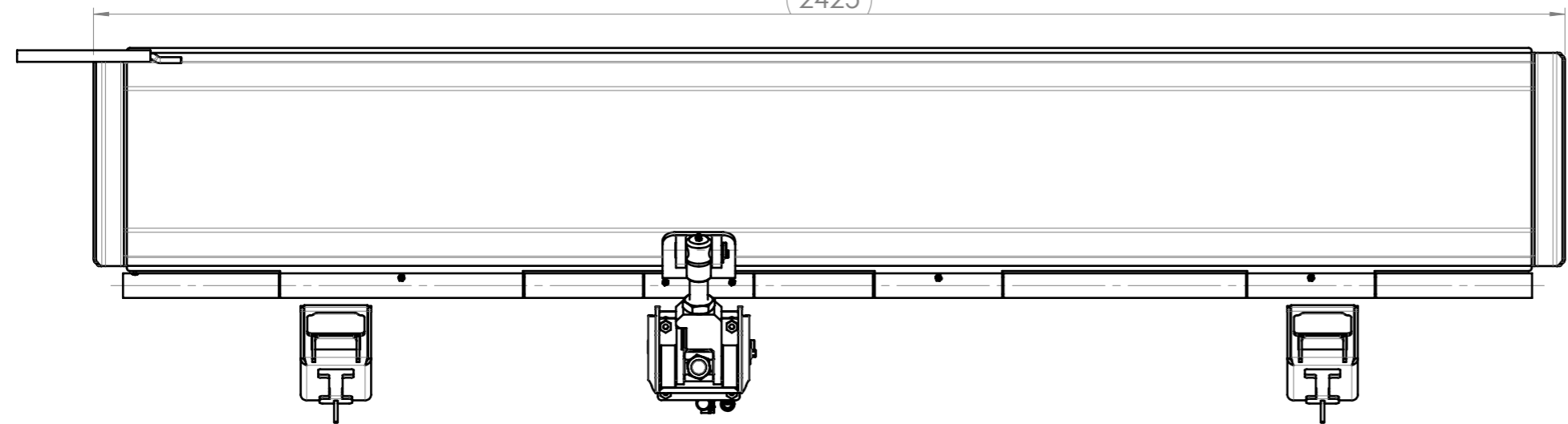
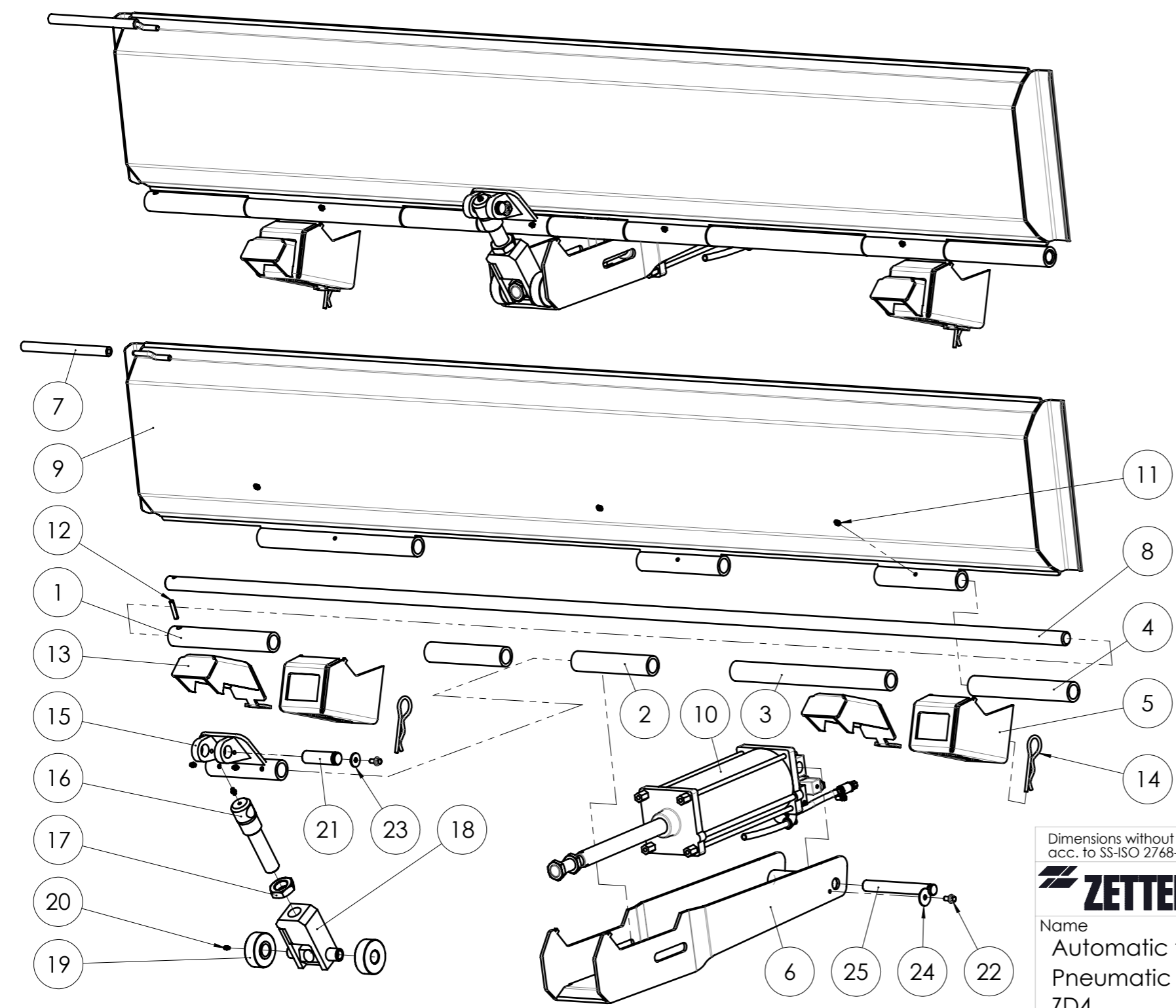
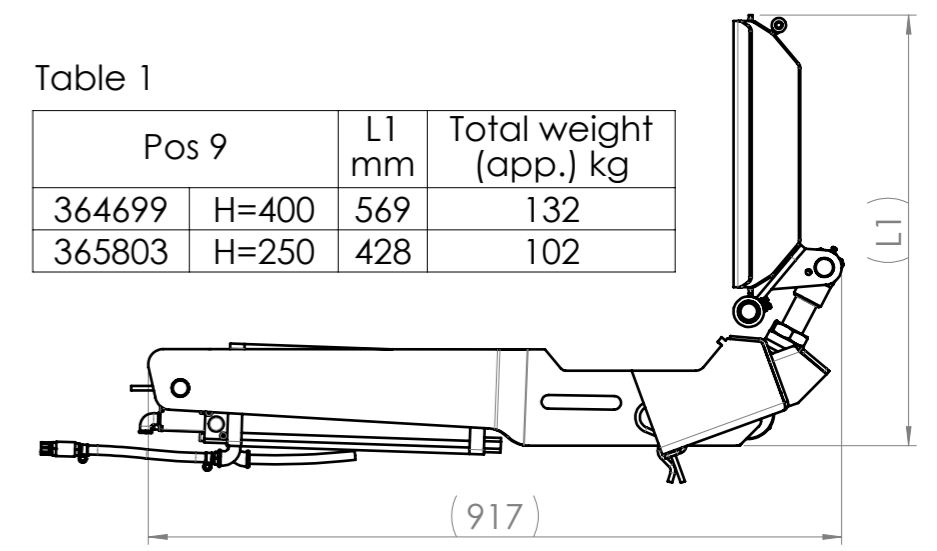


Table 1

Pos 9	L1 mm	Total weight (app.) kg
364699 H=400	569	132
365803 H=250	428	102



Pos	Ant.	Art.nr	Name	Benämning	Material	Dimension
25	1	265074	Axle	Axel		4
24	1	354577	Washer SRKB	Bricka SRKB	FZB	9 x 35 x 2
23	1	265041	Washer	Bricka rund	TBR SB	9 x 28 x 8
22	2	265033	Screw M6SF-TT	Skruv M6SF-TT	FZB	M8 X 16
21	1	265066	Axle automatic tailgate	Axel automatläm		4
20	1	167882	Greaser	Smörjnippel		M6 rak
19	2	265140	Roller aut. tailgate	Rulle Automatläm		4
18	1	361105	Fork push rod	Gaffel tryckstång		
17	1	197046	Nut	Mutter 6-kant M		M30
16	1	366292	Head push rod	Tryckstångshuvud		4
15	1	364831	Carrier	Medbringare		3
14	2	162510	R-clip	Nålsprint		
13	2	363379	Profile stop horisontal	Anslag horisontellt		3
12	1	196311	Tube spring	Spännstift FRP		8 x 40
11	6	265215	Greaser	Smörjnippel		M8 rak
10	1	356110	Cylinder pneumatic	Cylinder pneumatisk		
9	1	Table 1	Automatic tailgate H70	Automatläm H70		
8	1	324061	Stocking rod	Lagringsstång		4
7	1	248880	Marker sign 220	Markör 220		4
6	1	363289	Cylinder bracket	Cylinderkonsol		
5	2	363376	Profile stop	Anslag automatläm		3
4	1	322811	Tube aut. tailgate	Rör automatläm		4
3	1	340942	Tube aut. tailgate	Rör automatläm		4
2	2	265199	Tube aut. tailgate	Rör automatläm		4
1	1	323602	Tube aut. tailgate	Rör automatläm		4
Pos	Ant.	Art.nr	Name	Benämning	Material	Dimension

Dimensions without individual tolerance acc. to SS-ISO 2768-1c

N.B. The copyright and ownership of this drawing including associated computer data are and will remain ours. They must not be copied, used or brought to knowledge of any third party without our prior permission. © Zetterbergs Industri AB, Sweden



Ritad/Drawn	Godk./Approved	Skala/Scale	Vikt/Weight
151029	DN	1:10	See table 1

Name	Benämning	Size	Ersätter/Replace
Automatic tailgate Pneumatic ZD4	Automatläm pneumatisk Monteringsritning ZD4	A3	356116
			Ritn. nr/Drawing no. 366376

Ingår i: