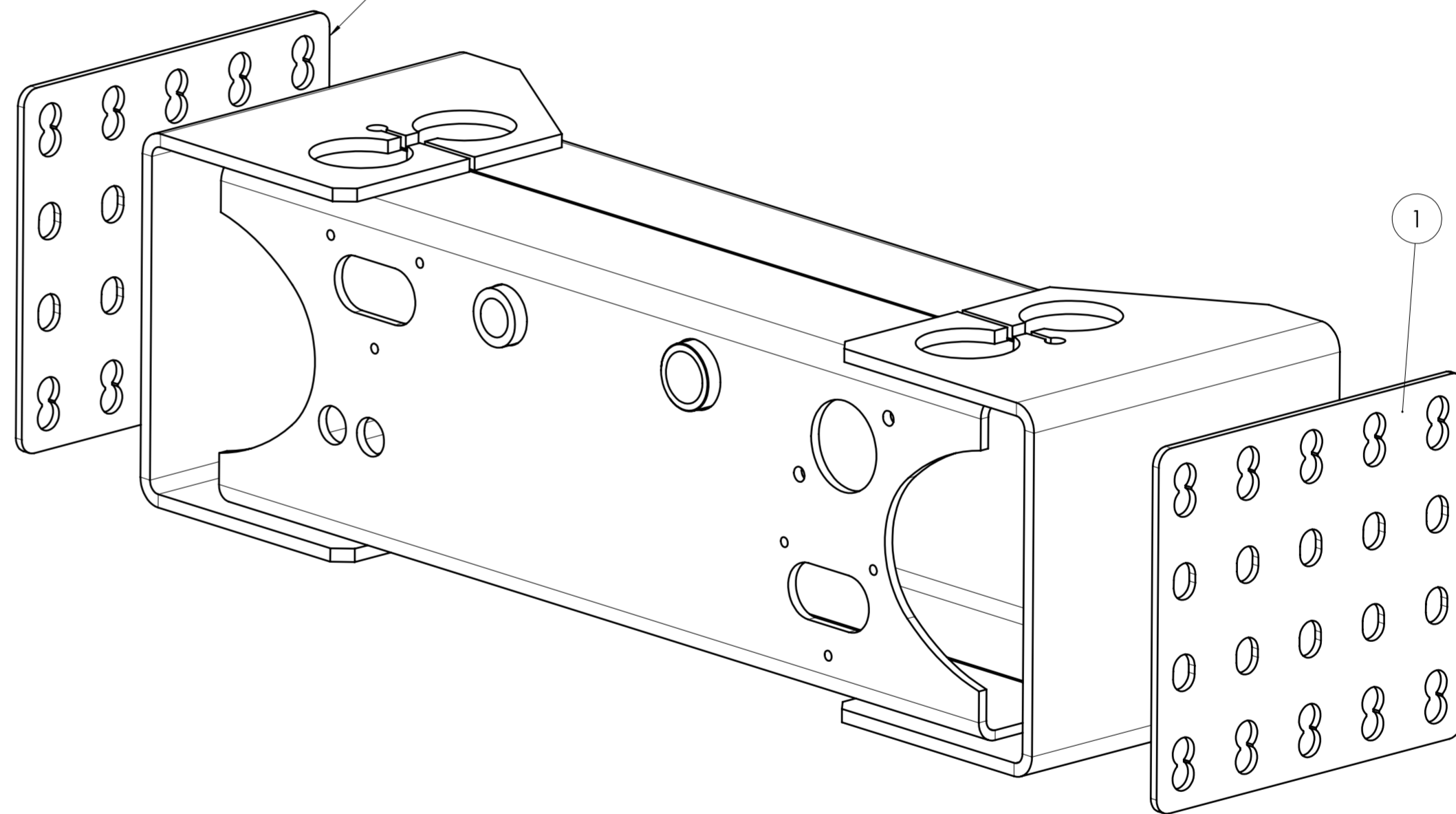


Optional: only with Vo without inner-liner.



Art.nr.	Typ	L	Pos. 1	Pos. 2
360709	Sc	751	340551	340550
360712	Vo	825	340553	340552

Sc innerliner, use 340542

Pos	Ant.	Art.nr	Name	Benämning	Material	Dimension
1	-	360721	Shims	Shims Dubbel		4
<small>Dimensions without individual tolerance acc. to SS-ISO 2768-1c</small>			<small>N.B. The copyright and ownership of this drawing including associated computer data are and will remain ours. They must not be copied, used or brought to knowledge of any third party without our prior permission. © Zetterbergs Industri AB, Sweden</small>			
		Ritad/Drawn	121009	DB	Godk./Approved	Skala/Scale
Name		Benämning		Size	Vikt/Weight	
Beam, double		Avslutningsbalk dubbel kompl. Sc + Vo		A2	38.8 Kg	
				Ersätter/Replace		
				Ritn. nr/Drawing no.		
				360709		