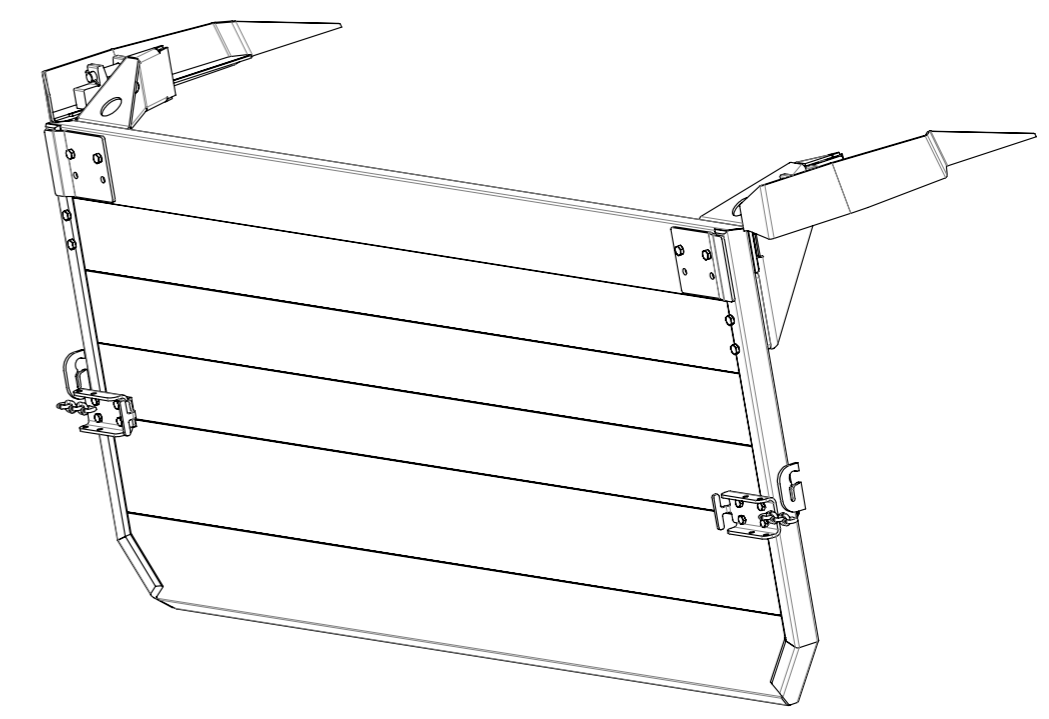


Table 1

Pos 1	H	L1 mm	Total weight (app.) kg
363925	H=900	981	78
363928	H=1000	1081	83
363931	H=1100	1181	88
363934	H=1200	1281	93
363937	H=1300	1381	98
363940	H=1400	1481	103



7	2	990 3348	Split pin	Saxsprint SP		4x40	
6	2	351805	Pin HCB	Sprint HCB	FZB	20x90	
5	2	363215	Stocking spreader gate	Lagring spridarläm			4
4	2	356449	Chain hook	Kättinghak			4
3	1	363208	Bracket right stocking	Fäste hö lagring sprl			3
2	1	363211	Bracket left stocking	Fäste vä lagring sprl			3
1	1	Table 1	Spreader gate	Spridarläm			Ritning 363941
Pos	Ant.	Art.nr	Name	Benämning	Material	Dimension	

Dimensions without individual tolerance acc. to SS-ISO 2768-1c

N.B. The copyright and ownership of this drawing including associated computer data are and will remain ours. They must not be copied, used or brought to knowledge of any third party without our prior permission. © Zetterbergs Industri AB, Sweden

	Ritad/Drawn	Godk./Approved	Skala/Scale	Vikt/Weight
	141114	RP	1:15	See table 1
Name	Benämning	Size	Ersätter/Replace	
Spreader gate aluminium Front hinged 130 Assembly - ZD4	Sprl alu framhängd 130 ZD4 Montering	A3		
		Ritn. nr/Drawing no.		
		363942		