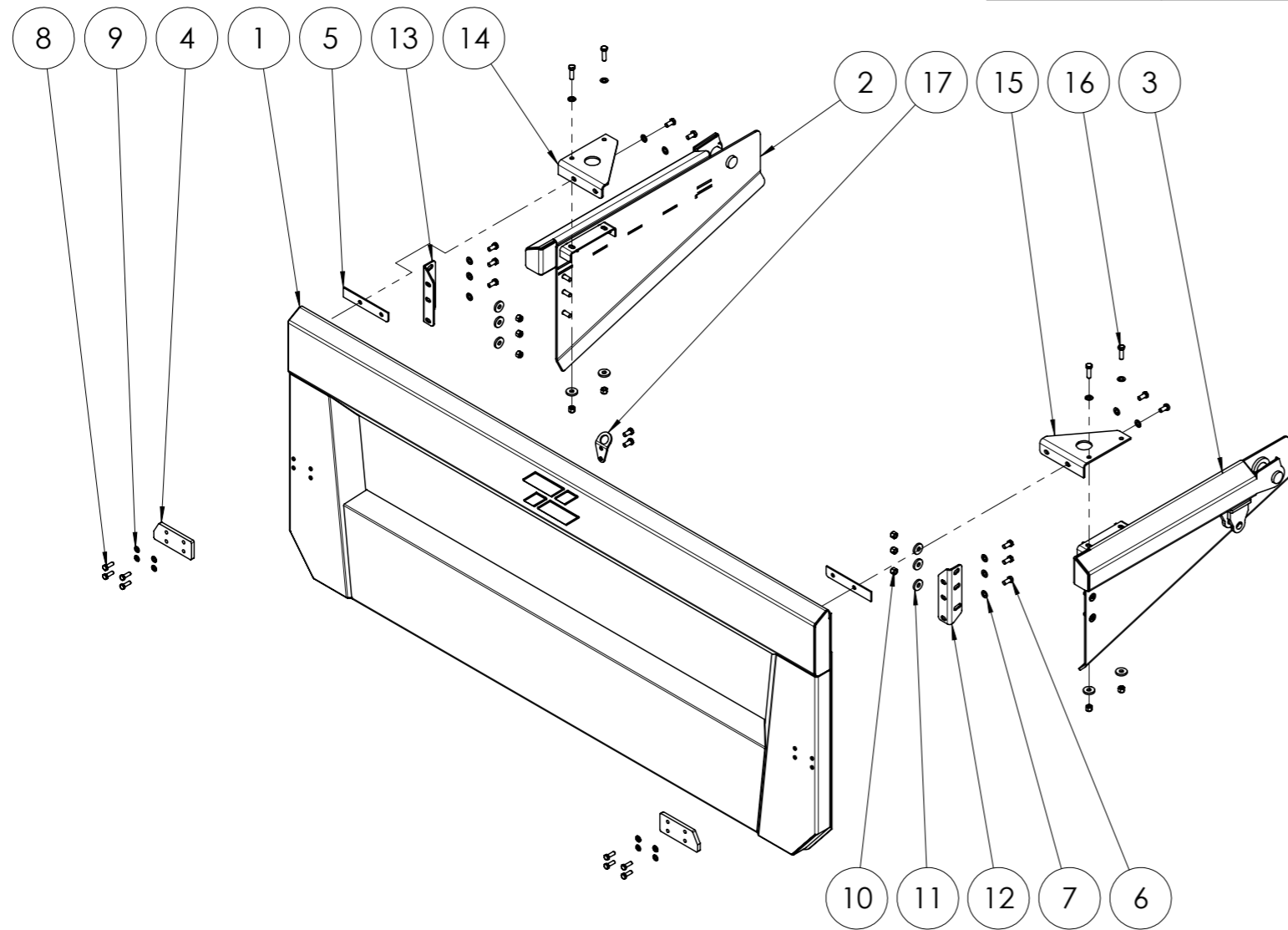


Table 1

Spreader gate	Pos 1	L1 mm	Total weight (app.) kg
363946 H=1000	361714	1000	183
363949 H=1100	361717	1100	192
363952 H=1200	361720	1200	201
363955 H=1300	361723	1300	208
363958 H=1400	361726	1400	217



17	1	364605	Lifting eye	Lyftögla			4
16	4	187245	Screw M6S	Skruv M6S	FZB	M12 X 40	
15	1	363944	Angle plate right	Vinkelplåt höger			3
14	1	363943	Angle plate left	Vinkelplåt vänster			3
13	1	363997	Bracket left	Fäste vänster			3
12	1	363998	Bracket right	Fäste höger			4
11	10	990 4034	Washer SRKB	Bricka SRKB			
10	10	175703	Locking nut	Mutter lås	FZB	M12	
9	8	179374	Washer BRB	Bricka BRB	FZB	10,5x20x2	
8	8	178046	Screw M6S	Skruv M6S	FZB	M10x30	
7	14	179382	Washer BRB	Bricka BRB	FZB	13x24x2	
6	12	992 4345	Screw M6S	Skruv M6S	FZB	M12 x25	
5	2	364624	Distance plate	Distansplåt			4
4	2	363406	Sliding plate	Glidplåt			4
3	1	363404	Hinge right rigid	Arm höger fast			3
2	1	363403	Hinge left rigid	Arm vänster fast			3
1	1	Table 1	Spreader gate body	Spridarläm stomme			Ritning 361717
Pos	Ant.	Art.nr	Name	Benämning	Material	Dimension	

Dimensions without individual tolerance acc. to SS-ISO 2768-1c

N.B. The copyright and ownership of this drawing including associated computer data are and will remain ours. They must not be copied, used or brought to knowledge of any third party without our prior permission. © Zetterbergs Industri AB, Sweden

ZETTERBERGS	Ritad/Drawn 141017	RP	Godk./Approved	Skala/Scale 1:20	Vikt/Weight See table 1
Name Spreader gate steel High lifted, sliding lock ZD4	Benämning Spridarläm stål Höglyftande glidlåst ZD4		Size A3	Ersätter/Replace Ritn. nr/Drawing no. 363961	

Ingår i: 363964