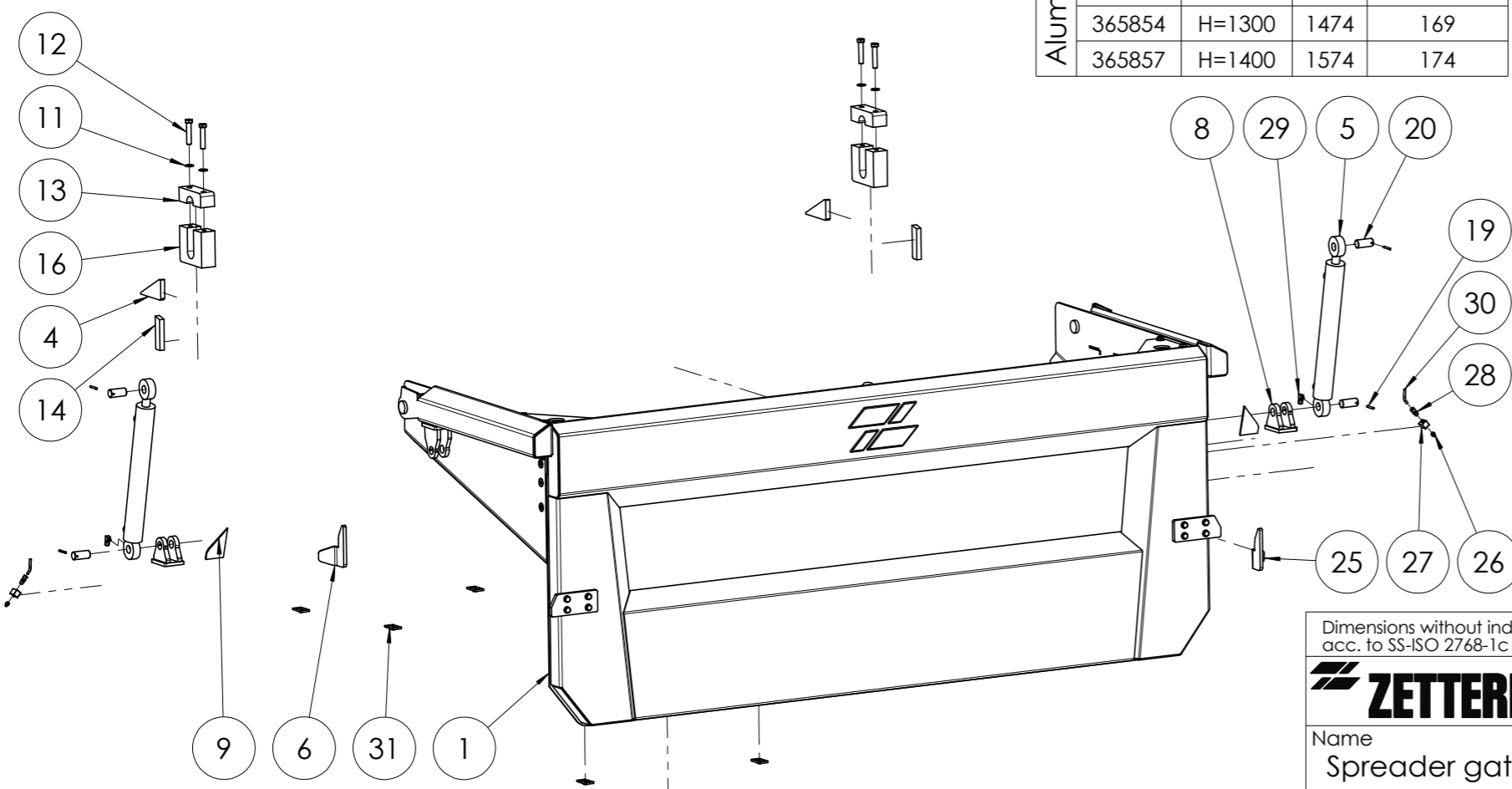


Table 1

	Pos 1	L1 mm	Total weight (app.) kg
Steel	363946 H=1000	1174	218
	363949 H=1100	1274	227
	363952 H=1200	1374	236
	363955 H=1300	1474	245
	363958 H=1400	1574	253
Aluminium	365845 H=1000	1174	153
	365848 H=1100	1274	158
	365851 H=1200	1374	163
	365854 H=1300	1474	169
	365857 H=1400	1574	174

31	6	325564	Welding plate HY-RO	Svetsplatta HY-RO			
30	2	364357	Plastic hose	Plastslang			Utv Ø6
29	2	364355	Coupling angle	Koppling vinkel			M6-6
28	2	364351	Coupling	Koppling			UR1/8"-6
27	2	364348	Coupling block greaser	Koppl.block 1 smörjnippel 1/8"			4
26	2	167908	Greaser	Smörjnippel			1/8" rak
25	1	363622	Catcher right	Uppfångare höger			4
20	4	355214	Cylinder axle	Cylinderaxel			4
19	4	165647	Spring pin FRP	Spännstift FRP			5x40
16	2	355192	Spreader gate bearing	Spridarlämslagring U			3
14	2	356965	Stop	Stopp			4
13	2	355195	Spreader gate bearing	Spridarlämslagring Ö			4
12	4	249268	Screw M6S	Skruv M6S	FZB		M14x70
11	4	175513	Washer	Bricka	FZB		15x26x2
9	2	363625	Support plate	Stödplåt cylinderfäste			4
8	2	356968	Cylinder attachment	Cylinderfäste			3
6	1	363619	Catcher left	Uppfångare vänster			4
5	2	355219	Cylinder	Cylinder			
4	2	361111	Supporting wedge	Avbärarkil			4
1	1	Table 1	Spreader gate steel/alu	Spridarläm stål/alu			
Pos	Ant.	Art.nr	Name	Benämning	Material	Dimension	



Dimensions without individual tolerance acc. to SS-ISO 2768-1c

N.B. The copyright and ownership of this drawing including associated computer data are and will remain ours. They must not be copied, used or brought to knowledge of any third party without our prior permission. © Zetterbergs Industri AB, Sweden

ZETTERBERGS	Ritad/Drawn 141001	RP	Godk./Approved	Skala/Scale 1:20	Vikt/Weight See table 1
Name Spreader gate High lifted sliding lock Assembly - ZD4	Benämning Höglyftande sprl glidlåst ZD4 Montering		Size A3	Ersätter/Replace Ritn. nr/Drawing no. 363964	

Ingår i: