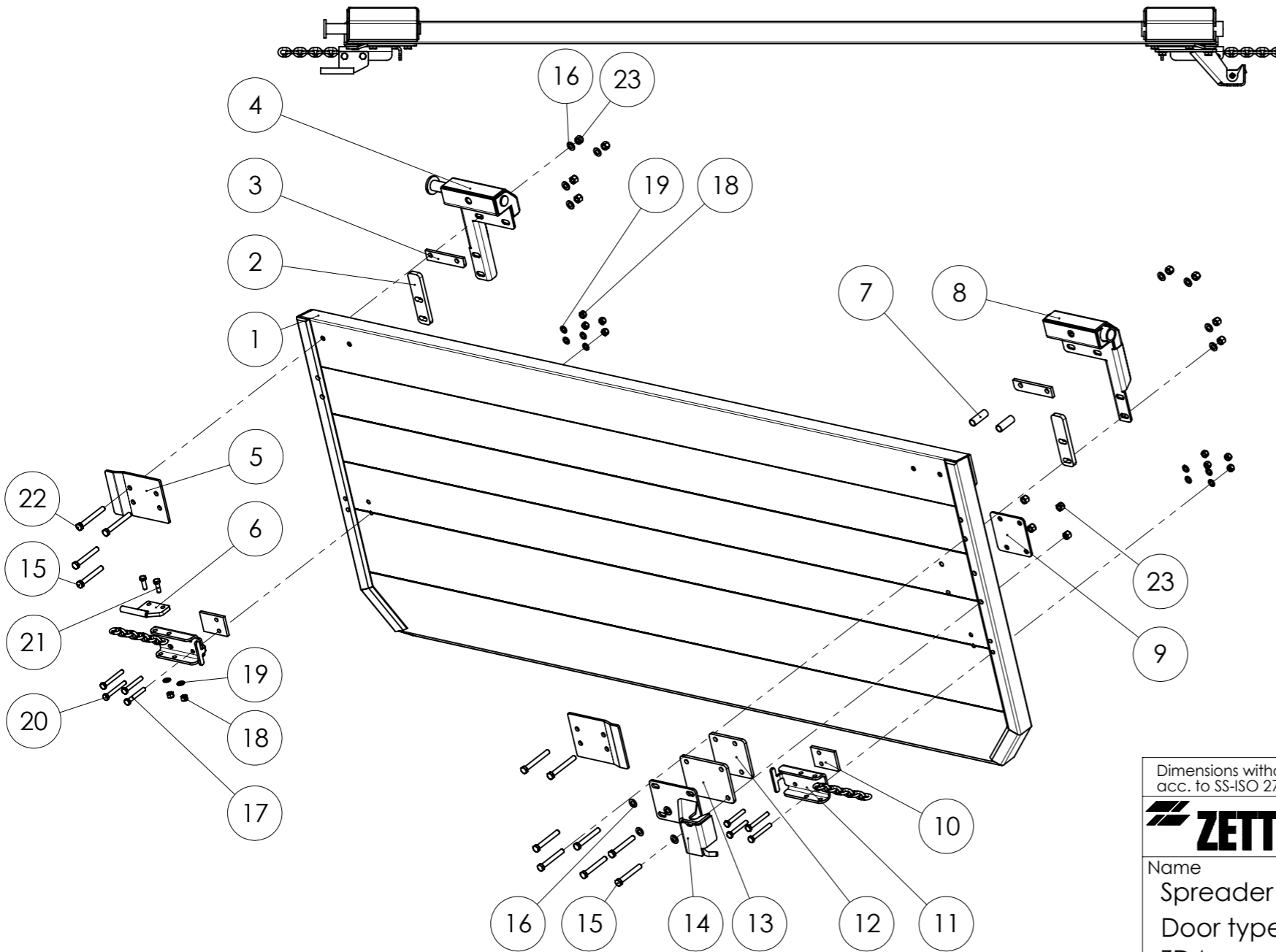


Table 1

Spreader gate	H	Pos 1	Weight (app) kg
364914	900	347378	79
364915	1000	347380	84
364918	1100	347383	90
364921	1200	347386	96
364924	1300	347389	101
364927	1400	347392	107



Pos	Ant.	Art.nr	Name	Benämning	Material	Dimension
23	12	175703	Locking nut	Mutter lås	FZB	M12
22	4	992 4442	Screw M6S	Skruv M6S	FZB	M12x100
21	2	178046	Screw M6S	Skruv M6S	FZB	M10x30
20	4	178707	Screw M6S	Skruv M6S	FZB	M10x80
19	10	179374	Washer BRB	Bricka BRB	FZB	10,5x20x2
18	10	175695	Locking nut	Mutter lås	FZB	M10
17	4	187229	Screw M6S	Skruv M6S	FZB	M10x70
16	16	179382	Washer BRB	Bricka BRB	FZB	13x24x2
15	8	184606	Screw M6S	Skruv M6S	FZB	M12 X 90
14	1	370345	Attachment lower right	Fäste nedre höger		
13	1	370351	Distance plate 8 mm	Distansplåt 8 mm		
12	1	364507	Distance plate 8 mm	Distansplåt 8 mm		
11	2	363250	Spreader gate stop	Spridarlämsstopp		3
10	2	363790	Distance plate	Distansplåt		4
9	1	364585	Support plate	Stödplåt		4
8	1	364480	Attachment upper right	Beslag övre hö		3
7	2	374827	Support sleeve	Stödhylsa		
6	1	365647	Locking bracket	Låsfäste		
5	2	363793	Support plate	Stödplåt		4
4	1	364477	Attachment upper left	Beslag övre vä		3
3	2	364604	Support plate	Stödplåt		4
2	2	363787	Distance plate	Distansplåt		4
1	1	Table 1	Spreader gate body	Sprl stomme		Drawing/Ritning 347377 3

Dimensions without individual tolerance acc. to SS-ISO 2768-1c

N.B. The copyright and ownership of this drawing including associated computer data are and will remain ours. They must not be copied, used or brought to knowledge of any third party without our prior permission. © Zetterbergs Industri AB, Sweden

<b>ZETTERBERGS</b>	Ritad/Drawn 150409	RP	Godk./Approved	Skala/Scale 1:15	Vikt/Weight Kg
Name Spreader gate alu Door type ZD4	Benämning Spridarläm alu Dörrutförande ZD4		Size <b>A3</b>	Ersätter/Replace Ritn. nr/Drawing no. <b>364525</b>	

Ingår i: 364528