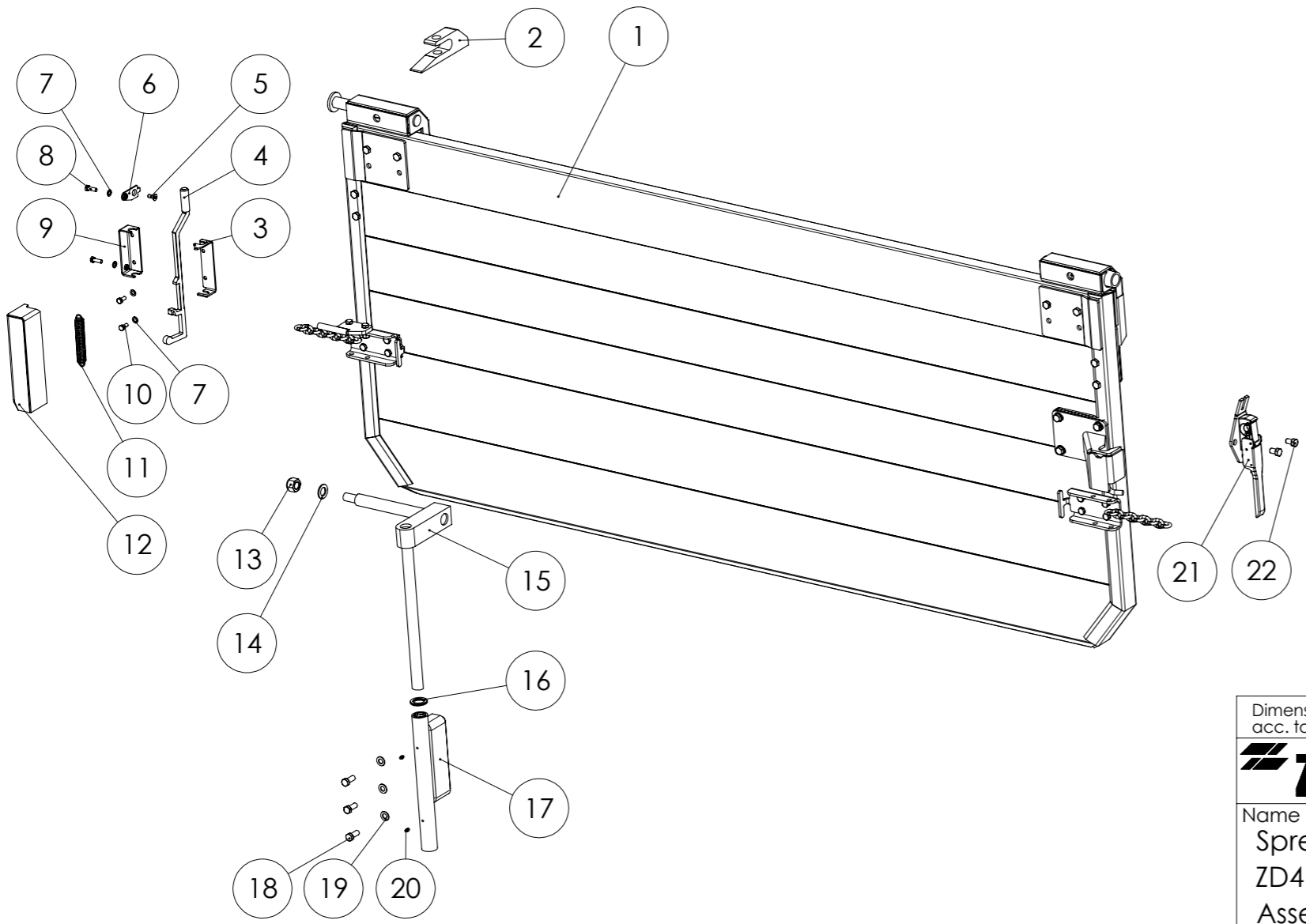


Table 1

H	Pos 1	Total Weight (app) kg
900	347378	94
1000	347380	99
1100	347383	105
1200	347386	111
1300	347389	116
1400	347392	122



Pos	Ant.	Art.nr	Name	Benämning	Material	Dimension
22	2	178426	Screw M6S	Skruv M6S	FZB	M12 x20
21	1	366535	Screwable lock	Skruvbart lämlås		
20	2	167882	Greaser	Smörjnippel		M6 rak
19	3	179382	Washer BRB	Bricka BRB	FZB	13x24x2
18	3	123125	Screw M6S	Skruv M6S	FZB	M12 x30
17	1	364543	Inner attachment	Inre fäste		
16	2	998 1675	Washer SS	Washer SS		30x42x2,5
15	1	364531	Attachment upper	Fäste övre		
14	1	304552	Washer	Bricka	FZB	21x37x3
13	1	154872	Locking nut	Mutter lås	FZB	M20
12	1	364522	Cover cap	Täckkåpa		3
11	1	165126	Spring	Fjäder		
10	3	183533	Screw M6S	Skruv M6S	FZB	M8 X 20
9	1	364487	Bearing plate outer	Lagringsplåt yttre		4
8	2	141549	Screw M6S	Skruv M6S	FZB	M8 X 25
7	4	175810	Washer	Bricka	FZB	9 x 18 x 1,5
6	1	378259	Attachment cover	Fäste täckkåpa		
5	1	596 0118	Screw MF6S	Skruv MF6S	10.9 FZB	M8x20
4	1	364516	Lock bolt complete	Låsregel komplett		4
3	1	364483	Bearing plate inner	Lagringsplåt inre		4
2	1	364519	Bearing left	Lagring vänster		
1	1	Table 1	Spreader gate alu	Spridarläm alu		Drawing 364525 3

Dimensions without individual tolerance acc. to SS-ISO 2768-1c

N.B. The copyright and ownership of this drawing including associated computer data are and will remain ours. They must not be copied, used or brought to knowledge of any third party without our prior permission. © Zetterbergs Industri AB, Sweden

ZETTERBERGS	Ritad/Drawn 150611	RP	Godk./Approved	Skala/Scale 1:15	Vikt/Weight Kg
Name Spreader gate door type ZD4 Assembly	Benämning Sprl dörrutförande ZD4 Montering	Size A3	Ersätter/Replace Ritn. nr/Drawing no. 364528		

Ingår i: