

Table 1

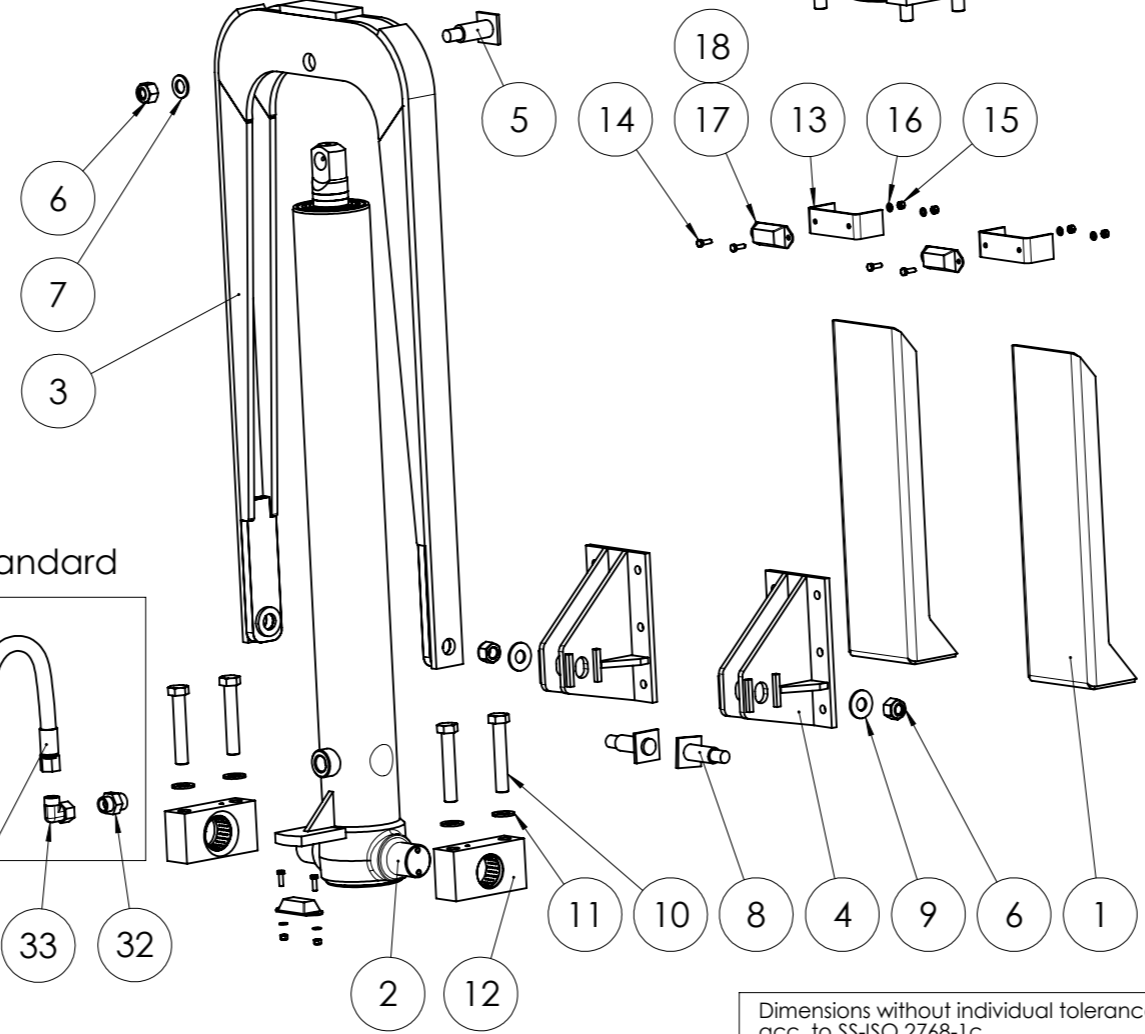
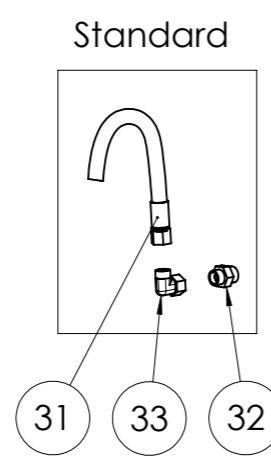
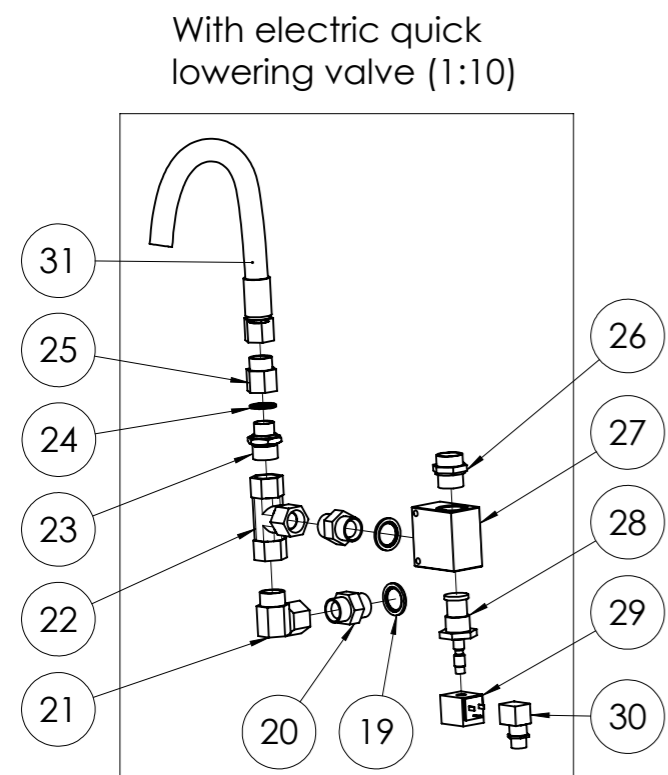
Side height mm	Pos 1
900	363085
1000	363086
1100	363087
1200	363088
1300	363089
1400	363090

Table 2

Pos 2	Cylinder	Stroke mm	Total weight* (app.) kg
360876	153/70	5200	274
360877	153/70	5547	274
360879	153/85	4131	271
360880	153/85	4436	271
360882	173/85	5241	341
360883	173/85	5546	341
360886	195/85	6646	404

* With Pos 1 = 363087 (Side height 1100)

Pos	Ant.	Art.nr	Name	Benämning	Mat.	Dimension
33	1	116715	Coupling S V STB	Koppling S V STB		UR 3/4" - 20
32	1	366775	Nipple	Nippel		GE 20 - SR 1"
31	1	366301	Hose 280 bar	Hydraulslang 280 bar		3/4", 1000 mm
30	1	265561	Electric connection	Elanslutn. magn.vent.		
29	1	19116	Solenoid	Magnetspole		26 V Class H
28	1	361657	Cartridge valve	Ventilpatron snabbbs.		1" NS
27	1	361654	Valve housing	Ventilhus snabbbs.ventil		1"
26	1	9946594	Coupling	Ermetokoppling		GE28 - LR
25	1	181784	Coupling S R	Koppling S R		IR 3/4" - 20
24	1	168617	Sealing washer	Tättningsbricka		R3/4"
23	1	204859	Nipple	Nippel		UR 3/4" - UR 1"
22	1	360061	T-coupling	T-koppling		1"
21	1	281113	Nipple	Nippel		1", 90 gr
20	2	162529	Nipple	Nippel		SR 1" - SR 1"
19	2	193276	Sealing washer	Tättningsbricka		R1"
18	-	360022	Spacer plate	Distansplåt		
17	3	17067	Rubber block	Gummiblock		
16	8	175810	Washer	Bricka	FZB	9 x 18 x 1,5
15	6	154856	Locking nut	Mutter lås	FZB	M8
14	6	141549	Screw M6S	Skruv M6S	FZB	M8 X 25
13	2	363433	Damper bracket	Dämparkonsol		
12	2	360397	Bearing	Lagring		
11	4	360601	Washer HV 300	Bricka HV 300		4 x 25 x 44
10	4	360598	Screw M6S 10.9	Skruv M6S 10.9		M24 x 140
9	2	360388	Washer	Bricka		4x24x56
8	2	360385	Lifting pin bracket	Lyftpinne fäste		
7	1	221663	Washer	Bricka	BRFB	25x45x4
6	3	293472	Locking nut	Mutter lås	FZB	M24
5	1	360382	Lifting pin top	Lyftpinne topp		
4	2	349930	Dumper attachment	Korgfäste		
3	1	360379	Lifting arm JT	Lyftarm JT		
2	1	Table 2	Cyl JTC 112 153-195	Cyl JTC 112 153-195		
1	2	Table 1	Profile steel U	Profil stål U		



Dimensions without individual tolerance acc. to SS-ISO 2768-1c

N.B. The copyright and ownership of this drawing including associated computer data are and will remain ours. They must not be copied, used or brought to knowledge of any third party without our prior permission. © Zetterbergs Industri AB, Sweden

ZETTERBERGS	Ritad/Drawn	Godk./Approved	Skala/Scale	Vikt/Weight
	150224	LF	1:15	See table 2
Name	Benämning	Size	Ersätter/Replace	
Front cylinder	Frontcylinder	A3	Ritn. nr/Drawing no.	
JTC 112 153 - 195	JTC 112 153 - 195		364570	
ZD4F	ZD4F			

Ingår i: