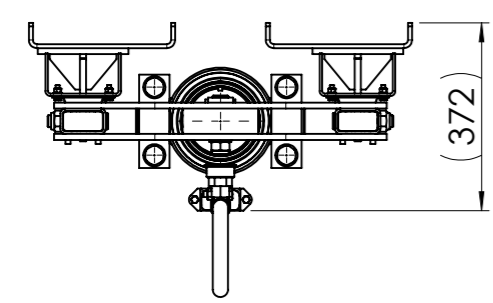
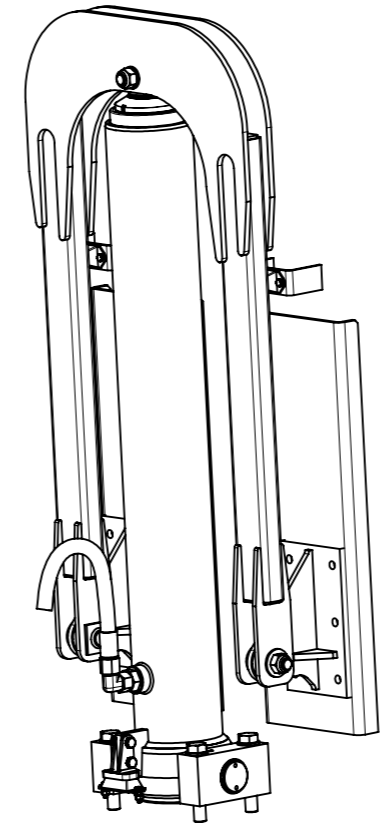
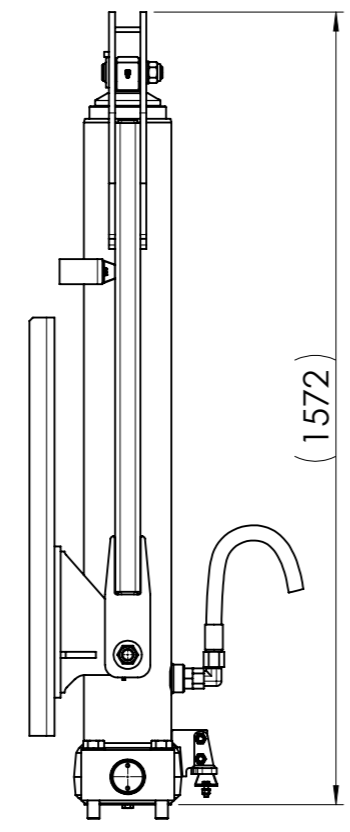
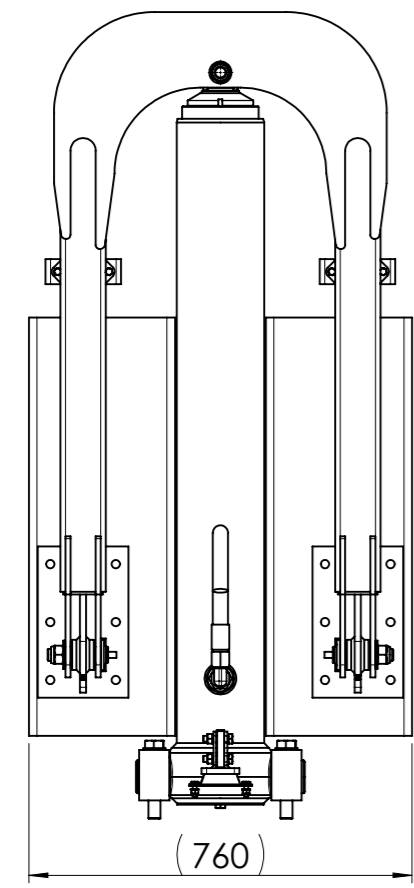


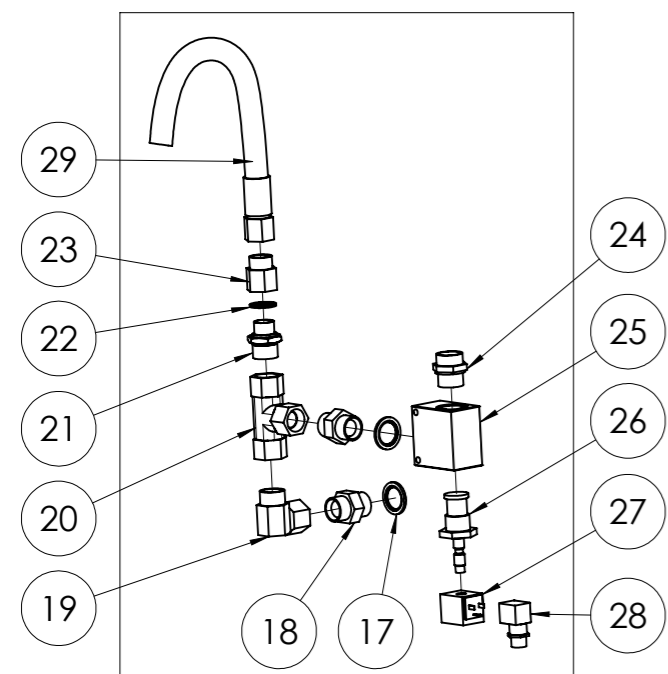
Table 1

Pos 2	Cylinder	Stroke mm	Total weight* (app.) kg
360876	153/70	5200	274
360877	153/70	5547	274
360879	153/85	4131	271
360880	153/85	4436	271
360882	173/85	5241	341
360883	173/85	5546	341
360886	195/85	6646	404

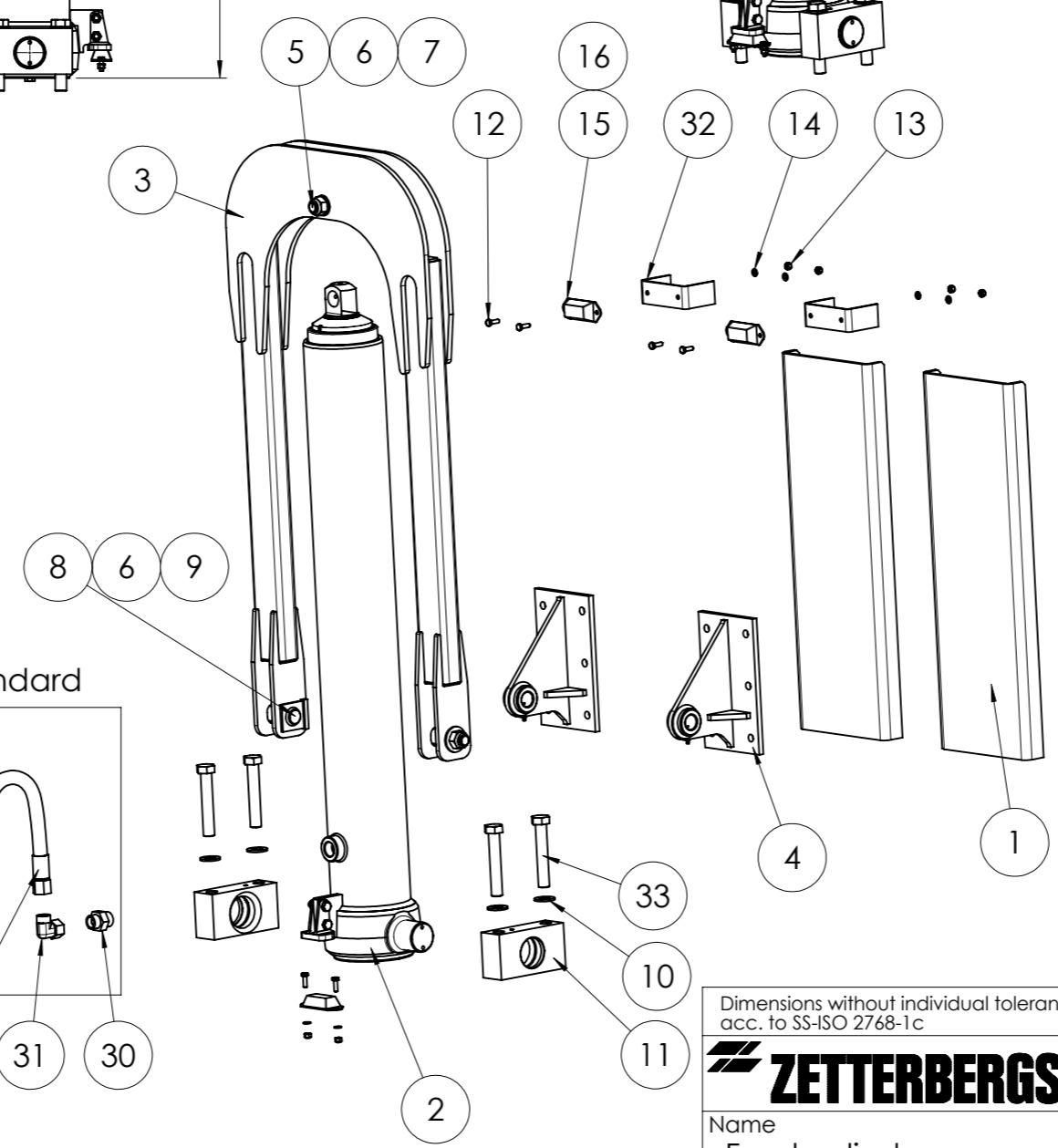
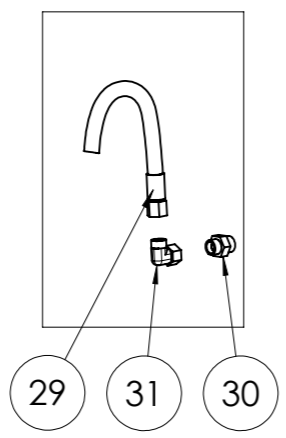
33	4	360598	Screw M6S 10.9	Skruv M6S 10.9	M24x140
32	2	368449	Damper bracket	Dämparkonsol	
31	1	116715	Coupling S V STB	Koppling S V STB	UR 3/4" - 20
30	1	366775	Nipple	Nippel	GE 20 - SR 1"
29	1	366301	Hose 280 bar	Hydraulslang 280 bar	3/4", 1000 mm
28	1	265561	Electric connection	Elansltn. magn.vent.	
27	1	19116	Solenoid	Magnetspole	26 V Class H
26	1	361657	Cartridge valve	Ventilpatron snabbs.	1" NS
25	1	361654	Valve housing	Ventilhus snabbs.ventil	1"
24	1	994 6594	Coupling	Ermetkoppling	GE28 - LR
23	1	181784	Coupling S R	Koppling S R	IR 3/4" - 20
22	1	168617	Sealing washer	Tättningsbricka	R3/4"
21	1	204859	Nipple	Nippel	UR 3/4" - UR 1"
20	1	360061	T-coupling	T-koppling	1"
19	1	281113	Nipple	Nippel	1", 90 gr
18	2	162529	Nipple	Nippel	UR 1" - UR 1"
17	2	193276	Sealing washer	Tättningsbricka	R1"
16	-	360022	Spacer plate	Distansplåt	
15	3	17067	Rubber block	Gummblock	
14	8	175810	Washer	Bricka	FZB 9 x 18 x 1,5
13	6	154856	Locking nut	Mutter lås	FZB M8
12	6	141549	Screw M6S	Skruv M6S	FZB M8 X 25
11	2	360397	Bearing	Lagring	
10	4	360601	Washer HV 300	Bricka HV 300	4 x 25 x 44
9	2	360388	Washer	Bricka	4x24x56
8	2	360385	Lifting pin bracket	Lyftpinne fäste	
7	1	221663	Washer	Bricka	BRFB 25x45x4
6	3	293472	Locking nut	Mutter lås	FZB M24
5	1	360382	Lifting pin top	Lyftpinne topp	
4	2	368437	Dumper attachment	Korgfäste	
3	1	368434	Lifting arm JT	Lyftarm JT	
2	1	Table 1	Cyl JTC 112 153-195	Cyl JTC 112 153-195	
1	2	349270	Profile steel U	Profil stål U	
Pos	Ant.	Art.nr	Name	Benämning	Mat. Dimension



With electric quick lowering valve (1:10)



Standard



Dimensions without individual tolerance acc. to SS-ISO 2768-1c

N.B. The copyright and ownership of this drawing including associated computer data are and will remain ours. They must not be copied, used or brought to knowledge of any third party without our prior permission. © Zetterbergs Industri AB, Sweden



Ritad/Drawn	Godk./Approved	Skala/Scale	Vikt/Weight
160711	RP	1:15	See table 1

Name	Benämning	Size	Ersätter/Replace
Front cylinder	Frontcylinder	A3	360802
JTC 112 153 - 195	JTC 112 153 - 195		Ritn. nr/Drawing no.
EP	EP		368479

Ingår i: