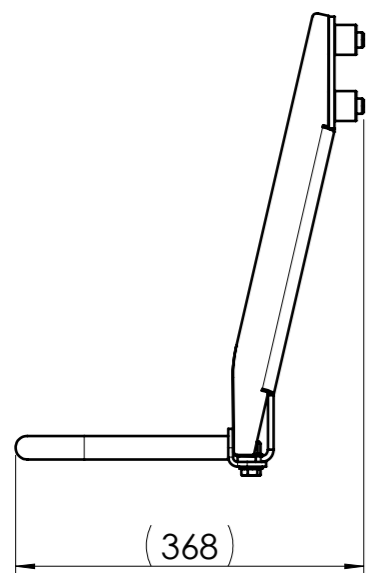


372577 (ZD4)
372578 (ZD4-Z/ZM)



Pos	Ant.	Ant.	Art.nr	Name	Benämning	Material	Dimension
9	-	4	512 7882	Distance cage R L=23	Distanshylsa R L=23		
8	-	4	179036	Screw M6S	Skruv M6S	10.9 FZB	M16x40
7	4	4	175521	Washer	Bricka	FZB	17,0x30x3
6	4	-	356812	Screw M6S	Skruv M6S	10.9 FZB	M16x20
5	3	3	175703	Locking nut	Mutter lås	FZB	M10
4	6	6	179382	Washer BRB	Bricka BRB	FZB	13x24x2
3	3	3	123125	Screw M6S	Skruv M6S	FZB	M16 x20
2	1	1	372592	Bracket	Fäste		
1	1	1	372580	Ladder side front	Stege sida framstam		

Dimensions without individual tolerance acc. to SS-ISO 2768-1c

N.B. The copyright and ownership of this drawing including associated computer data are and will remain ours. They must not be copied, used or brought to knowledge of any third party without our prior permission. © Zetterbergs Industri AB, Sweden

ZETTERBERGS	Ritad/Drawn 170905	DN	Godk./Approved	Skala/Scale 1:8	Vikt/Weight 13,5 Kg
Name Ladder side front ZD4, ZD4-Z/ZM Assembly	Benämning Stege sida framstam ZD4, ZD4-Z/ZM Montering		Size A3	Ersätter/Replace Ritn. nr/Drawing no. 372577	