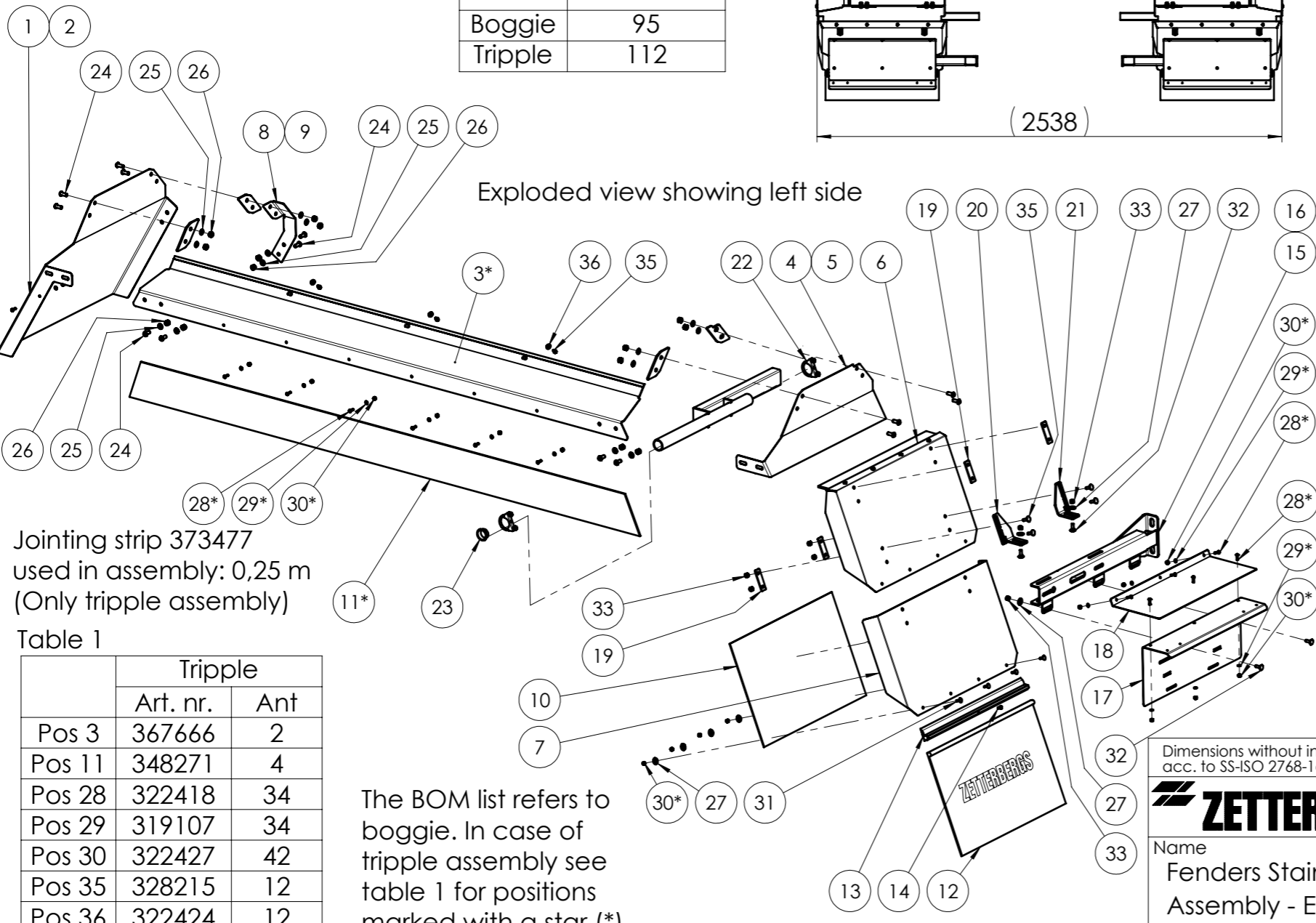


Sealing strip 364438
used in assembly: 1.2 m

Table 2

	Total weight (app.) kg
Boggie	95
Tripple	112



Jointing strip 373477
used in assembly: 0,25 m
(Only tripple assembly)

Table 1

Pos	Tripple	
	Art. nr.	Ant
Pos 3	367666	2
Pos 11	348271	4
Pos 28	322418	34
Pos 29	319107	34
Pos 30	322427	42
Pos 35	328215	12
Pos 36	322424	12

The BOM list refers to boggie. In case of tripple assembly see table 1 for positions marked with a star (*).

36	6	322424	Washer NB	Bricka NB	Rostfri	6.4 x 18 x 1.6
35	6	328215	Blind rivet	Blindnit	Rostfri	6,4
34	8	351742	Screw MVBF	Skruv MVBF	Rostfri	M8 x 35
33	16	322808	Locking nut	Mutter lås	Rostfri	M8
32	8	322805	Screw MVBF	Skruv MVBF	Rostfri	M8 x 25
31	8	367441	Screw MVBF	Skruv MVBF	Rostfri	M6 x 30
30*	34	322427	Locking nut	Mutter lås	ROSTFRI	M6
29*	26	319107	Washer	Bricka	Rostfri	6,4 x 12 x 1,6
28*	26	322418	Screw MK6S	Skruv MK6S	Rostfri	M6 x 20
27	20	289637	Washer NB	Bricka NB	ROSTFRI	8.4 x 24 x 2
26	28	355486	Locking nut	Mutter lås	ROSTFRI	M10
25	28	365287	Washer BRB	Bricka BRB	ROSTFRI	10.5 x 20 x 2.0
24	28	365284	Screw K6S	Skruv K6S	ROSTFRI	M10 X 25
23	2	205344	Protection cap	Skyddshuv nr:57		DBI-DUT Typ A
22	4	355594	Exhaust clip	Avgasklammer		45 mm
21	2	361621	Attachment left	Fäste vänster		
20	2	361624	Attachment right	Fäste höger		
19	8	353404	Opposite plate	Motplåt	Rostfri	
18	2	260811	Attachm. taillight holder	Stag lyktlåda	Rostfri	
17	2	310107	Taillight holder	Lyktlåda		
16	1	351655	Bracket left rear lamp	Bracket left rear lamp		
15	1	351658	Bracket right rear lamp	Bracket right rear lamp		
14	2	178913	Screw M6S	Skruv M6S	FZB	M6 X 12
13	2	223487	Mudguard bracket	Stänkskyddshållare rak		
12	2	209866	Mudguard Zetterbergs EU	Stänkskydd Zett. EU		
11*	2	348271	Mudguard	Stänkskydd		
10	2	346579	Rear mudflap Rensi spray	Skärminsats Rensi spray		
9	1	363448	Stabilizing attachm. right	Stabiliseringsstag H		
8	1	363451	Stabilizing attachm. left	Stabiliseringsstag V		
7	2	359092	Joint fender	Skarvskärm		
6	2	361639	Rear fender compl.	Plåtskärm bakre kompl.	Rostfri	
5	1	363436	Rear fender right	Bakskopa H		
4	1	363571	Rear fender left	Bakskopa V		
3*	2	367663	Side fender complete	Skärmkant komplett		
2	1	363439	Front fender right	Framskopa H		
1	1	363568	Front fender left	Framskopa V		
Pos	Ant	Art.nr	Name	Benämning	Material	Dimension

Dimensions without individual tolerance acc. to SS-ISO 2768-1c

N.B. The copyright and ownership of this drawing including associated computer data are and will remain ours. They must not be copied, used or brought to knowledge of any third party without our prior permission. © Zetterbergs Industri AB, Sweden

ZETTERBERGS Ritad/Drawn 160212 Godk./Approved DN Skala/Scale 1:30 Vikt/Weight See table 2

Name: Fenders Stainless Steel Assembly - EU ZD4
Benämning: Stänkskärmar rostfria Montering - EU ZD4
Size: A3
Ersätter/Replace: Ritn. nr/Drawing no. 367450