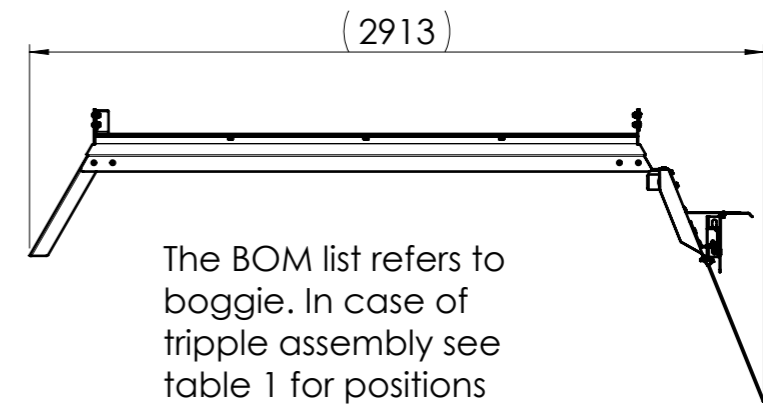
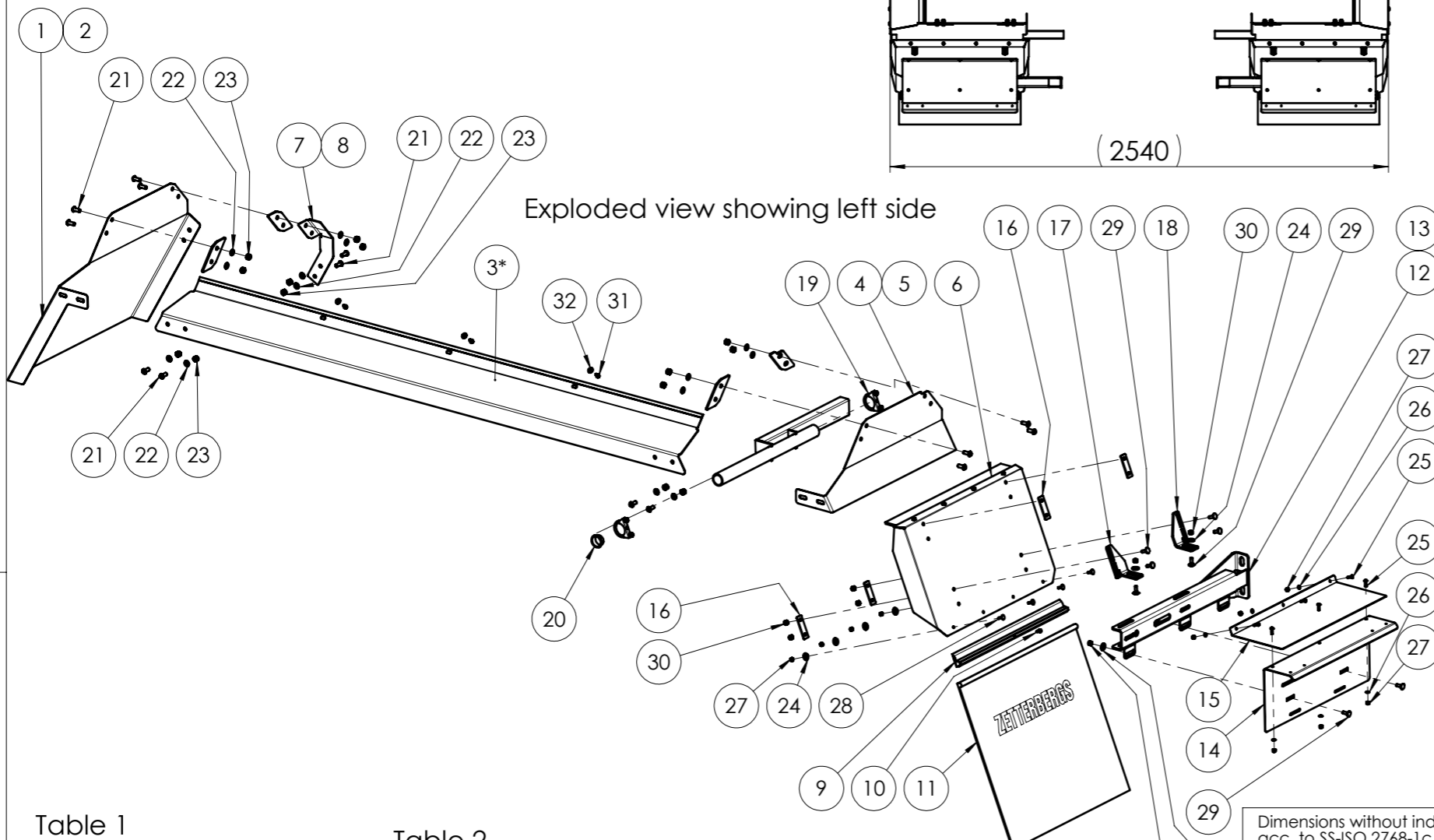


Sealing strip 364438 used in assembly: 1.2 m



The BOM list refers to boggie. In case of tripple assembly see table 1 for positions marked with a star (*).

Pos	Ant	Art.nr	Name	Benämning	Mat.	Dimension
32	6	322424	Washer NB	Bricka NB	Rostfri	6,4 x 18 x 1,6
31	6	328215	Blind rivet	Blindnit	Rostfri	6,4
30	16	322808	Locking nut	Mutter lås	Rostfri	M8
29	16	322805	Screw MVBF	Skruv MVBF	Rostfri	M8 x 25
28	8	367438	Screw MVBF	Skruv MVBF	Rostfri	M6 x 20
27	20	322427	Locking nut	Mutter lås	Rostfri	M6
26	12	319107	Washer	Bricka	Rostfri	6,4 x 12 x 1,6
25	12	322418	Screw MK6S	Skruv MK6S	Rostfri	M6 x 20
24	20	289637	Washer NB	Bricka NB	Rostfri	8.4 x 24 x 2
23	28	355486	Locking nut	Mutter lås	Rostfri	M10
22	28	365287	Washer BRB	Bricka BRB	Rostfri	10.5 x 20 x 2.0
21	28	365284	Screw K6S	Skruv K6S	Rostfri	M10 X 25
20	2	205344	Protection cap	Skyddshuv nr:57		DBI-DUT Typ A
19	4	355594	Exhaust clip	Avgasklammer		45 mm
18	2	361621	Attachment left	Fäste vänster		
17	2	361624	Attachment right	Fäste höger		
16	8	353404	Opposite plate	Motplåt	Rostfri	
15	2	260811	Attachm. taillight holder	Stag lyktlåda	Rostfri	
14	2	310107	Taillight holder	Lyktlåda		
13	1	351655	Bracket left rear lamp	Bracket left rear lamp		
12	1	351658	Bracket right rear lamp	Bracket right rear lamp		
11	2	361375	Mudguard Zetterbergs NO	Stänkskydd Zetterbergs		
10	2	178913	Screw M6S	Skruv M6S	FZB	M6 X 12
9	2	223487	Mudguard bracket	Stänkskyddshållare rak		
8	1	363448	Stabilizing attachm. right	Stabiliseringsstag H		
7	1	363451	Stabilizing attachm. left	Stabiliseringsstag V		
6	2	361639	Rear fender compl.	Plåtskärm bakre kompl.	Rostfri	
5	1	363436	Rear fender right	Bakskopa H		
4	1	363571	Rear fender left	Bakskopa V		
3*	2	367456	Side fender complete	Skärmkant komplett		
2	1	363439	Front fender right	Framskopa H		
1	1	363568	Front fender left	Framskopa V		

Table 1

Tripple		
Pos	Art. nr.	Ant
Pos 3	367457	2
Pos 31	328215	12
Pos 32	322424	12

Table 2

	Total weight (app.) kg
Boggie	83
Tripple	100

Dimensions without individual tolerance acc. to SS-ISO 2768-1c

N.B. The copyright and ownership of this drawing including associated computer data are and will remain ours. They must not be copied, used or brought to knowledge of any third party without our prior permission. © Zetterbergs Industri AB, Sweden

	Ritad/Drawn	Godk./Approved	Skala/Scale	Vikt/Weight
	160212	DN	1:30	See table 2
Name	Benämning		Size	Ersätter/Replace
Fenders Stainless Steel Assembly - NO ZD4	Stänkskärmar rostfria Montering - NO ZD4		A3	Ritn. nr/Drawing no. 367453

Ingår i: