

Nr.	Ändring/Äm.nr	Datum	Sign
7	2 brickor tillagda (Pos 9)	220919	NN

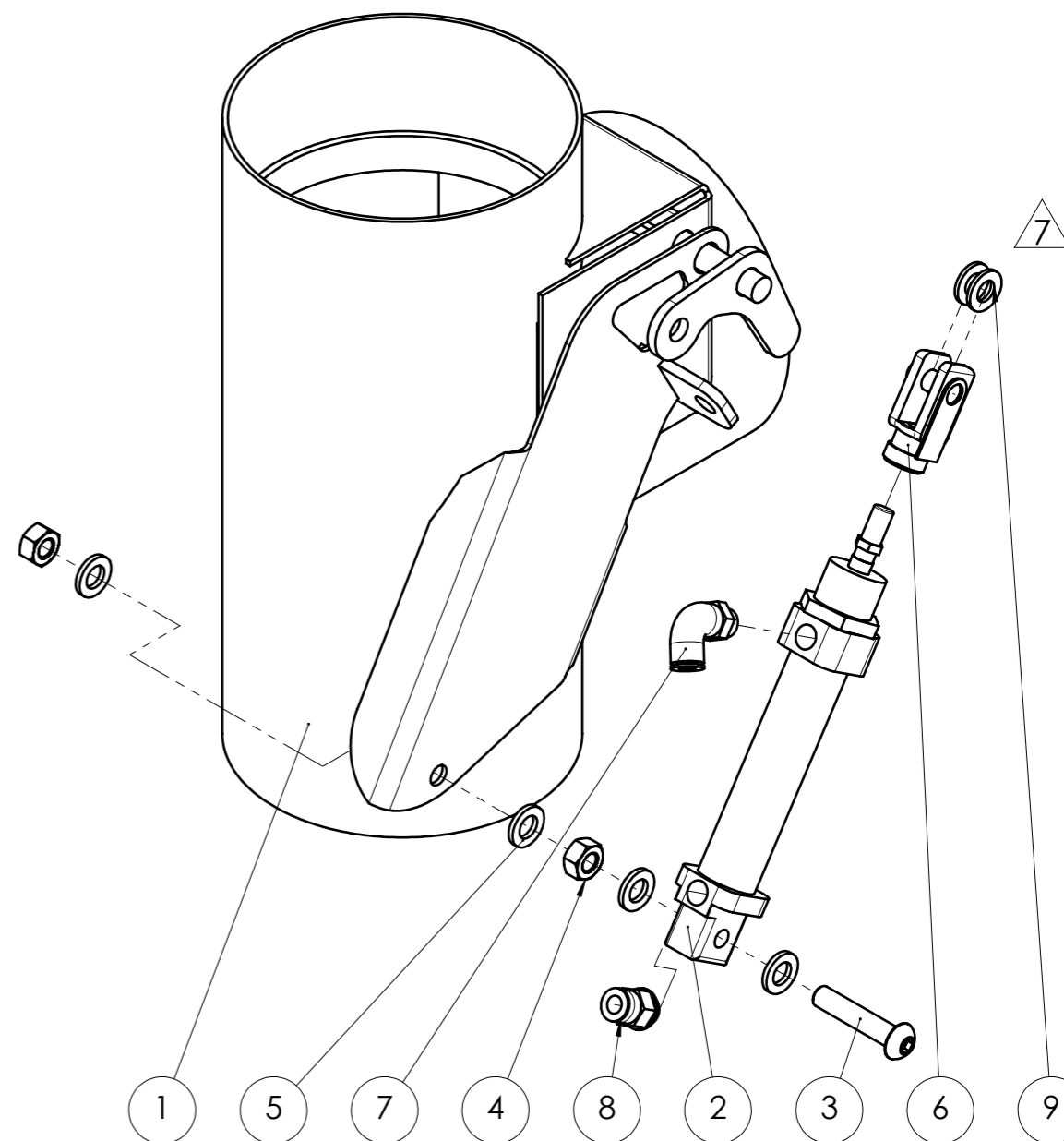
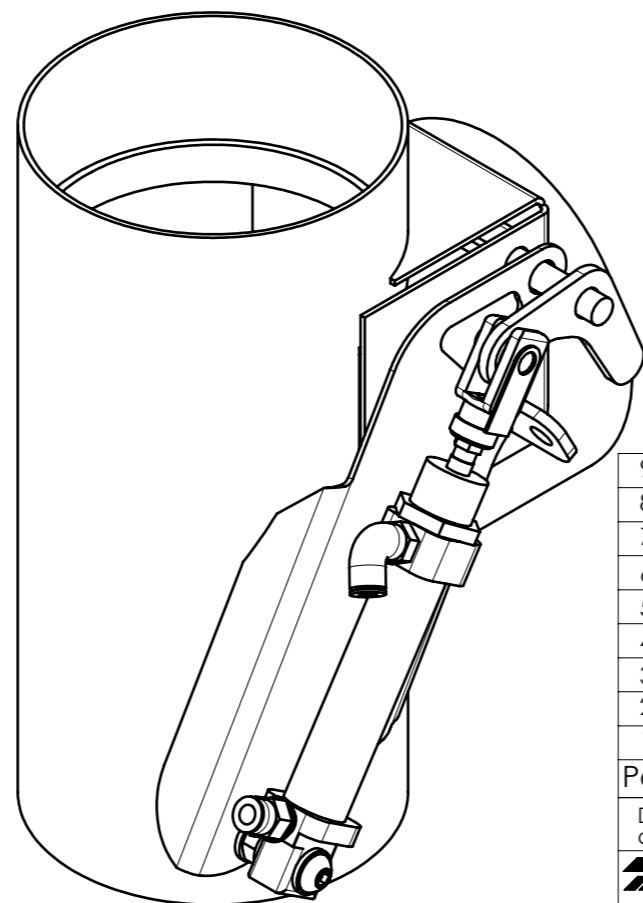
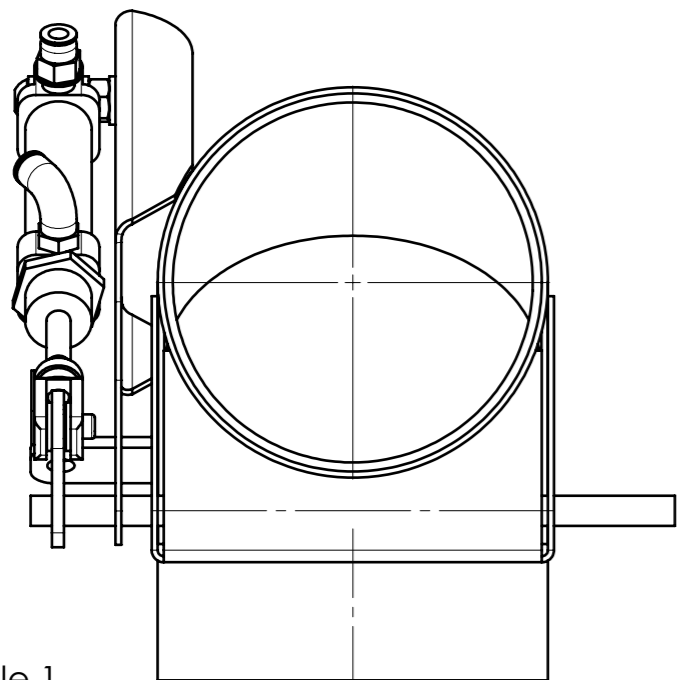
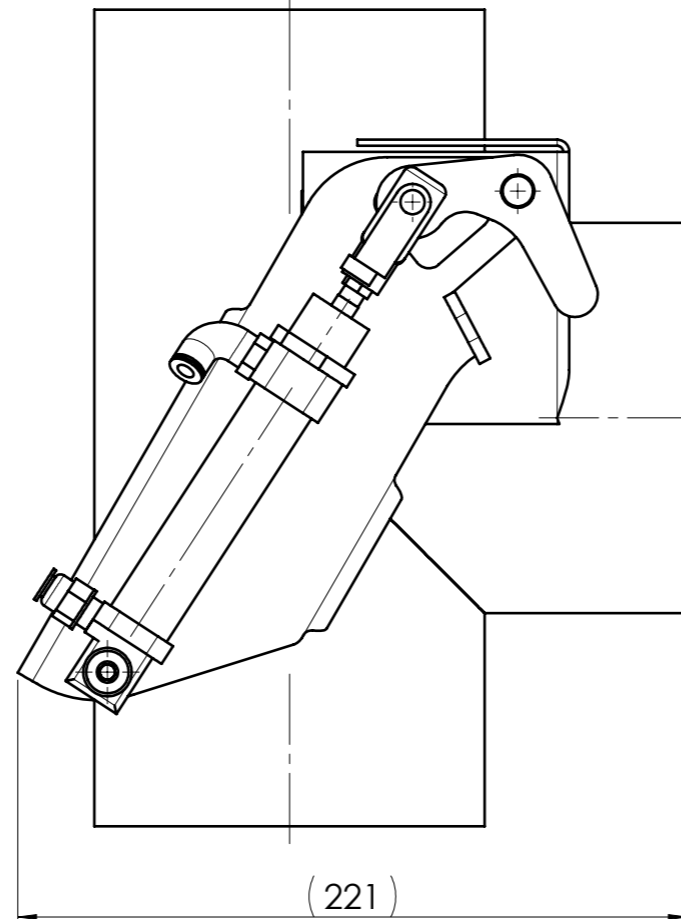
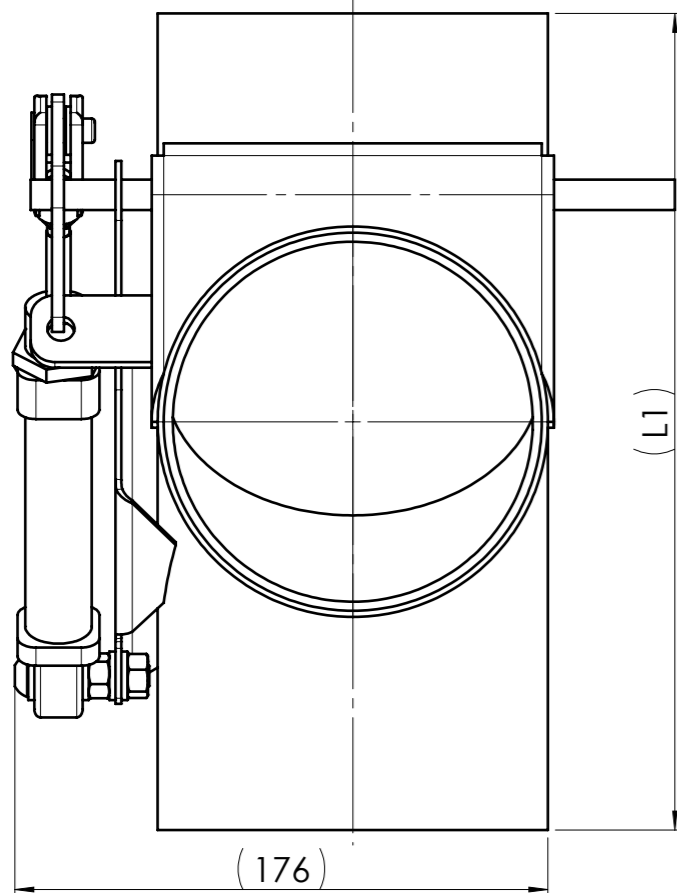


Table 1

	Art. nr Pos 1	L1 mm	Total weight (app.) kg
367288 (Exhaust valve 5" SS)	367291	270	3,7
367289 (Exhaust valve low 5" SS)	367292	218	3,1
368662 (Exhaust valve Scania 5" SS)	368659	218	3,3
373495 (Exhaust valve MAN 5" SS)	373498	218	3,1
374728 (Exhaust valve Sc NG 5" SS)	374725	218	4,5

9	2	372289	Washer	Bricka	Polyamid		
8	1	999 1182	Coupling pneumatic	Rak anslutning pneu.			
7	1	997 9387	Angled coupling pneu.	Vinkelanslutning pneu.			
6	1	166199	Fork link B8 x 16	Gaffellänk B8 x 16			
5	4	289637	Washer	Bricka	FZB	8.4x24x2	
4	2	246413	Nut M6M	Mutter M6M	FZB	M8	
3	1	321200	Screw K6S	Skruv K6S	SS A2	M8 X 40	
2	1	367306	Pneumatic cylinder	Pneumatisk cylinder			
1	1	Table 1	Body	Stomme			
Pos	Ant.	Art.nr	Name	Benämning	Material	Dimension	

Dimensions without individual tolerance acc. to SS-ISO 2768-1c

N.B. The copyright and ownership of this drawing including associated computer data are and will remain ours. They must not be copied, used or brought to knowledge of any third party without our prior permission. © Zetterbergs Industri AB, Sweden

	Ritad/Drawn	Godk./Approved	Skala/Scale	Vikt/Weight
	160120	DN	1:2.5	See table 1
Name	Benämning		Size	Ersätter/Replace
Exhaust valve 5" SS	Avgasspjäll 5" RF		A3	Ritn. nr/Drawing no. 367288