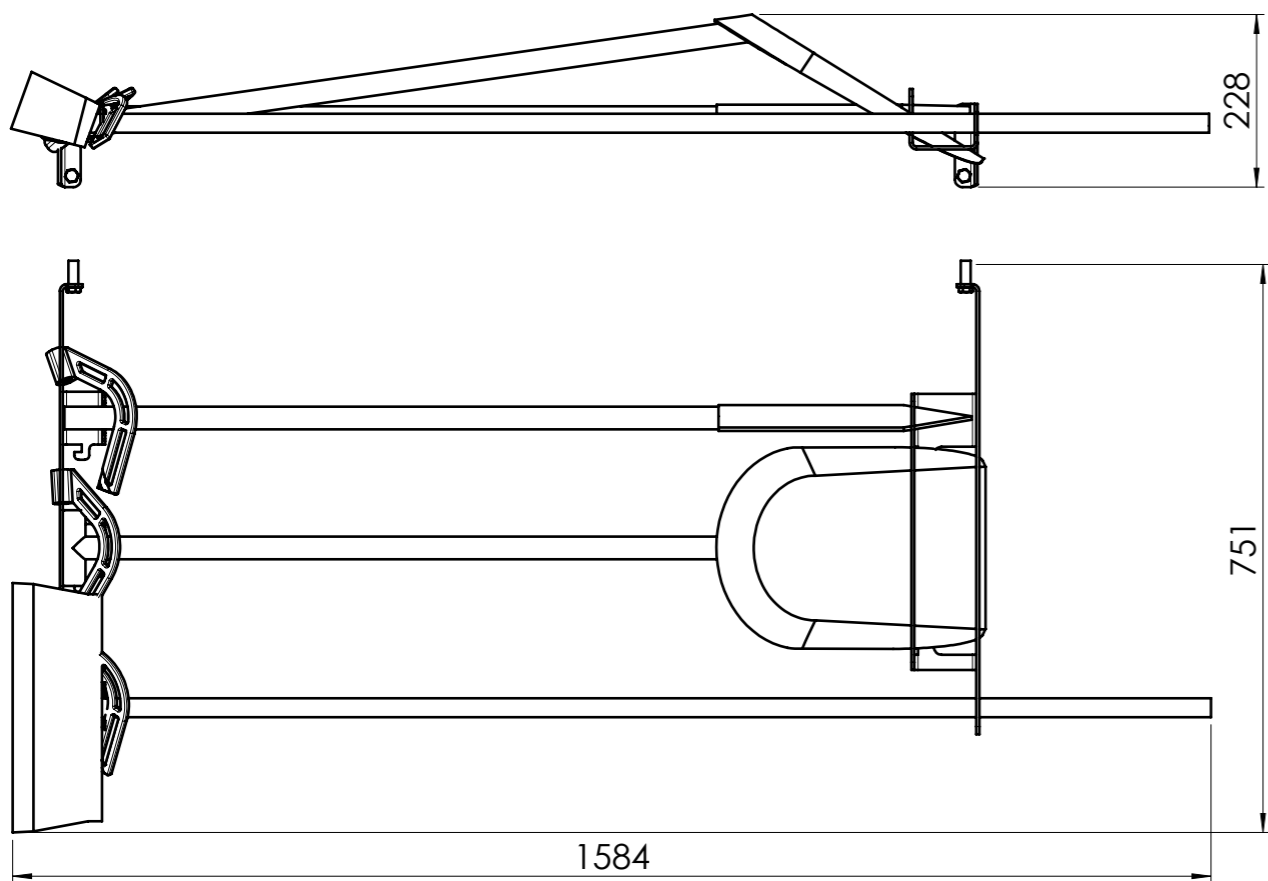
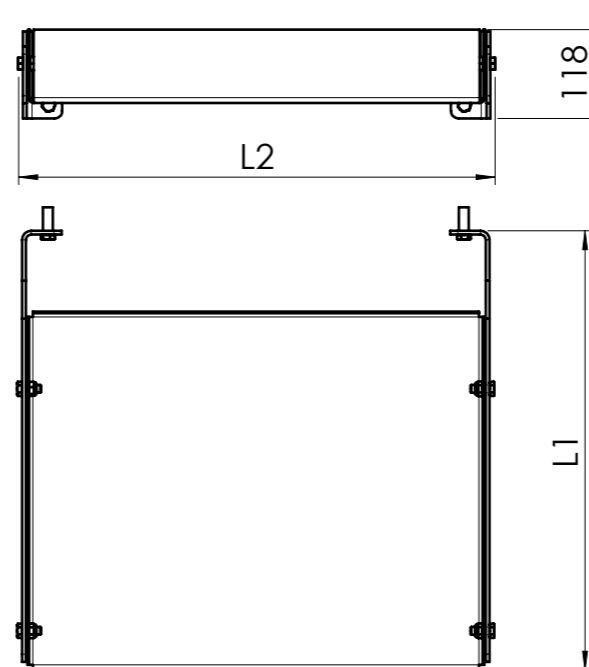


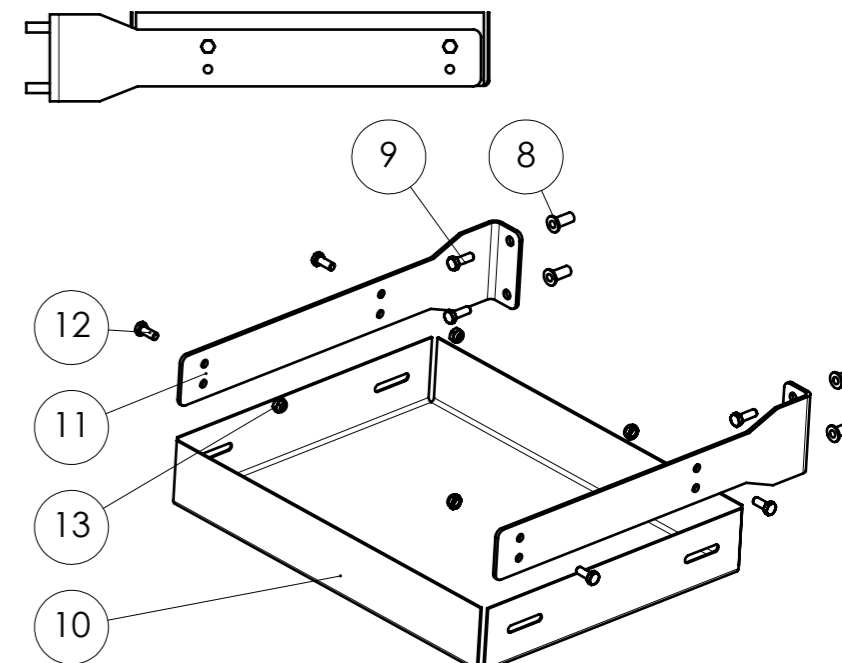
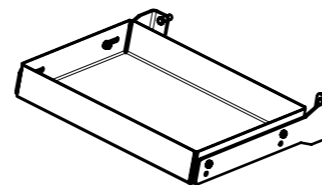
Tool bracket



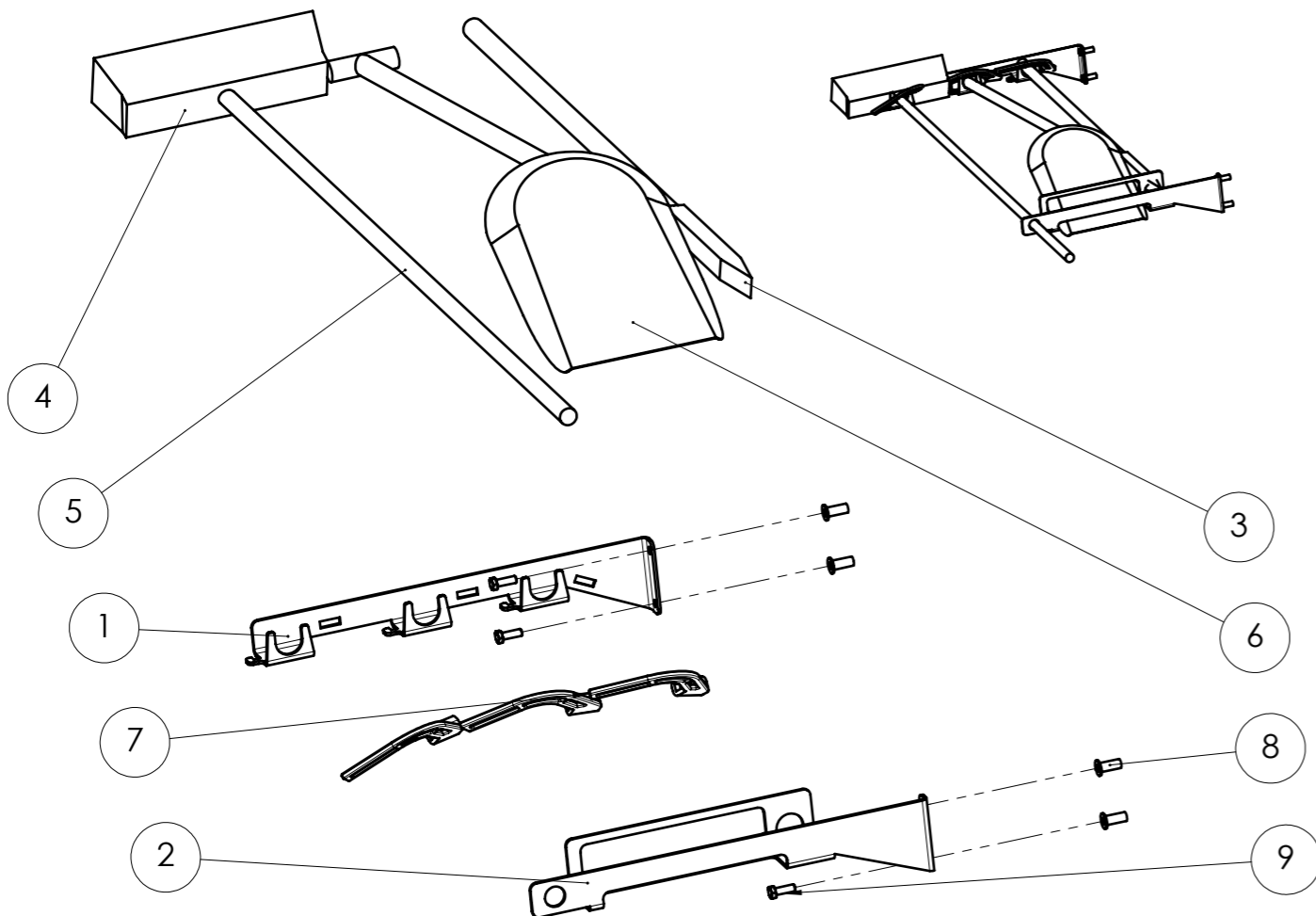
Storage box



Scale 1 : 20



Scale 1 : 20



Partno pos 11	Length	L1
382473	570	581
382476	480	491

Partno pos 10	Length	L2
362863	600	630
362530	800	830
362488	1000	1030

	Vikt/Weight (Kg)
Tool bracket	7,3
Storage box 600	11,7
Storage box 800	13,7
Storage box 1000	15,7

Storage box	Tool bracket	Ant	Pos	Art.nr	Name	Benämning	Material	Dimension
		4	13	175695	Locking nut	Mutter lås	FZB	M10
		4	12	178996	Screw M6S	Skruv M6S	FZB	M10x25
		2	11	Table 2	Console screwable	Konsol skruvbar		
		1	10	Table 1	Storage box	Förvaringslåda		
		4	4	9	178046	Screw M6S	FZB	M10x30
		4	4	8	382188	Blind rivet nut		M10x15.5
		3	7	302768	Rubber strap stretcher	Kapellsträckare		
		1	6	325822	Shovel Fiskars 620K	Skyffel Fiskars 620K		
		1	5	325828	Shaft wood 1500x24	Skaft trä 1500x24		
		1	4	325825	Plastic broom	Kvast plast		
		1	3	346135	Aluminium spear	Aluminiumspett		
		1	2	382182	Rear tool bracket	Bakre redskapshållare		
		1	1	382179	Front tool bracket	Främre redskapshållare		

Dimensions without individual tolerance acc. to SS-ISO 2768-1c

N.B. The copyright and ownership of this drawing including associated computer data are and will remain ours. They must not be copied, used or brought to knowledge of any third party without our prior permission. © Zetterbergs Industri AB, Sweden

	Ritad/Drawn	Godk./Approved	Skala/Scale	Vikt/Weight
	220803	NN	1:10	Table 3
Name	Benämning	Size	Ersätter/Replace	
Tool bracket subframe Assembly	Redskapshållare hjälpram Montering	A3	Ritn. nr/Drawing no. 382185	